

# Tumble dryer

## T5190

### Features and benefits

- **Compass Pro<sup>®</sup> microprocessor offers:**
  - Large display and one control knob for easy program selection
  - Language selection
  - Quick selection and option buttons for the most frequently used drying programs and options
  - Drying program packages optimized for Economy, Care and Time and option buttons for selection of dryness
  - Service program for adjustment of parameters
  - USB connection
- High productivity - 2 full loads per hour
- Low energy consumption for optimal efficiency
- Reversible door hanging for a convenient laundry flow
- Easy access to vital parts from front and rear for simple servicing
- The coin version with Ecopower to avoid over drying of the garments and get a lower energy consumption
- Residual Moisture Control for an accurate drying result and a low energy consumption
- Reversing drum for less tangling of large items



Images shown are a representation of the product only and variations may occur.

### Main options

- Stainless steel front
- Stainless steel drum
- Payment: coinmeter with Ecopower, chipcard reader, CP connection
- Stainless steel base frame
- Separate condense system
- Fresh air intake

Main specifications		T5190			
Rated capacity, filling factor 1:18	kg/lb	10.6/23			
	filling factor 1:22	8.6/19			
Drum volume	litre	190			
Drum diameter	mm	680			
Heating,	electric	6.0/8.0			
	gas	20500/27300 (6.0/8.0)			
<b>Consumption data*</b>		6.0 kW	8.0 kW	Gas 6.0 kW	Gas 8.0 kW
Total time full load	min	35	27	36	29
Energy consumption full load	kWh	3.45	3.53	3.67	3.74
Evaporation	g/min	102	129	106	131
Energy kWh/litre water evaporated	kWh/l	0.92	0.94	-	-

\* At rated capacity 100% cotton load at 50% initial moisture dried to 0%.

Produced according to ISO 9001 and ISO 14001.

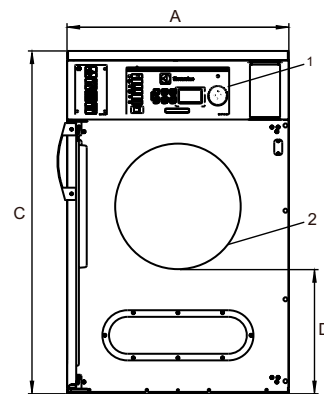
Certified with CB certificate for Low Voltage Directive and S-mark according to the Machinery Directive. Protection class IP X4D.

Electrical connections					
Heating alternative	Main voltage		Heating power kW	Total power kW	Recommended fuse A
		Hz			
Electric heated	220-240V 1 ~	50/60	6.0/8.0	6.3/8.3	35/50
	220-230V 3 ~	50/60	6.0/8.0	6.3/8.3	20/25
	240V 3 ~	50/60	6.0/8.0	6.3/8.3	16/25
	380-415V 3 ~	50/60	6.0/8.0	6.3/8.3	10/16
	440/480V 3 ~	60	6.0/8.0	6.3/8.3	10/16
	115V 3 ~	60	4.4	4.7	25
Gas heated	220-480V 1/3 ~	50/60	-	0.3	10

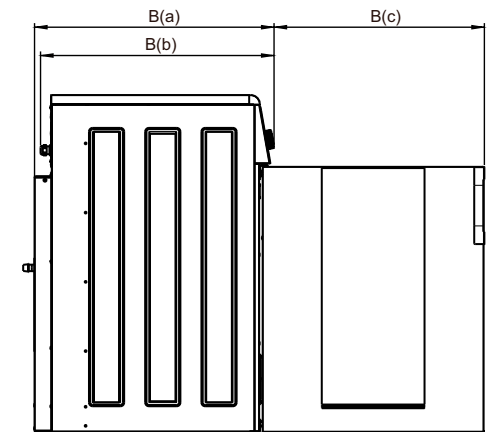
Gas and air connections			T5190
Gas		ISO 7/1-R	1/2"
Gas pressure	Natural gas	Pa	2000
		mbar	20
	Propane	Pa	2800-5000
		mbar	30
Air outlet		ø mm	125
Evacuated air	6.0 kW	m <sup>3</sup> /h	270
	8.0 kW		290
Pressure drop	6.0 kW	Max. Pa	380
	8.0 kW		350
Sound levels			
Sound power/pressure level at drying*		dB(A)	67/53
Heat emission			
% of installed power, max			15
Shipping data**			
Weight		net, kg	99
Shipping volume		m <sup>3</sup>	0.83
Dimensions in mm			
A	Width		721
B(a)	Depth (Gas)		778
B(b)	Depth (EI)		759
B(c)	Depth		684
C	Height		1114
D			404
E			45
F			180
G			88
H			113
I			79
J			561
1	Operating panel		
2	Door opening ø 400 mm		
3	Electrical connection		
4	Gas connection		
5	Exhaust connection		

\* Sound power levels measured according to ISO 60704.

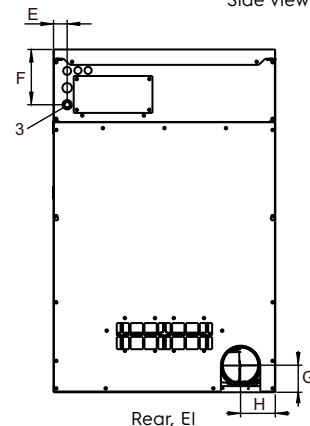
\*\* Average data. Crated weight/shipping volume depends on configuration. Please contact logistics for exact measures.



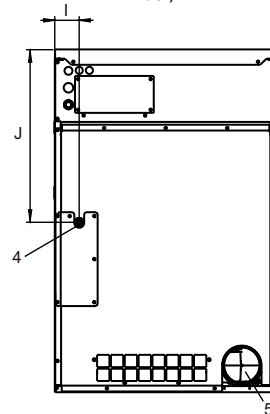
Front



Side view



Rear, EI



Rear, Gas